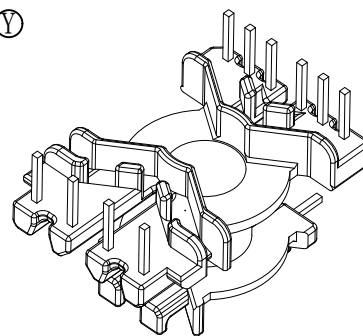
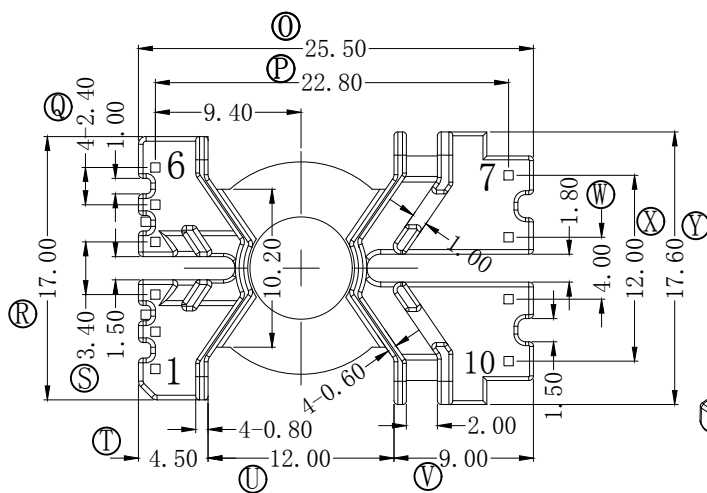
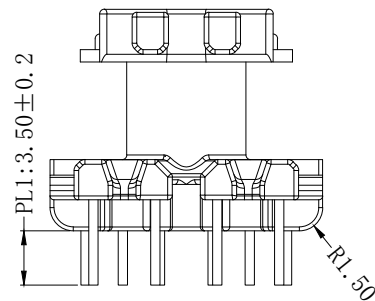
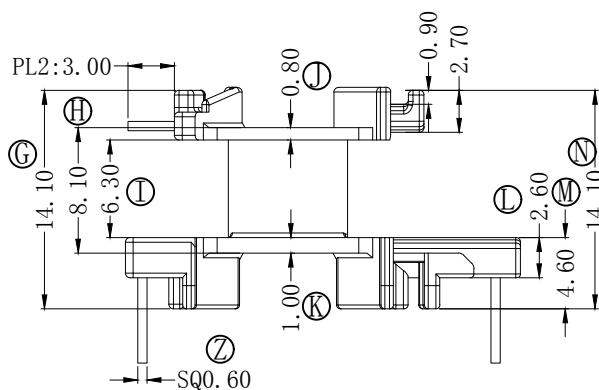
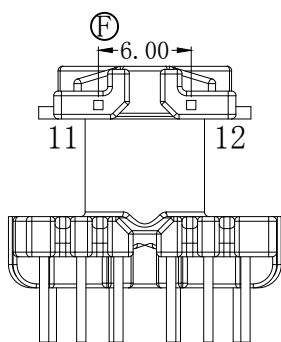
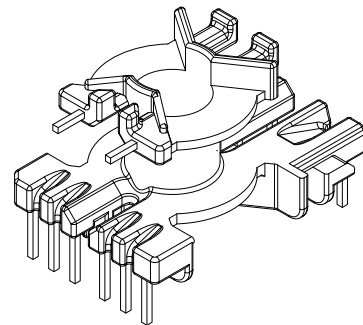
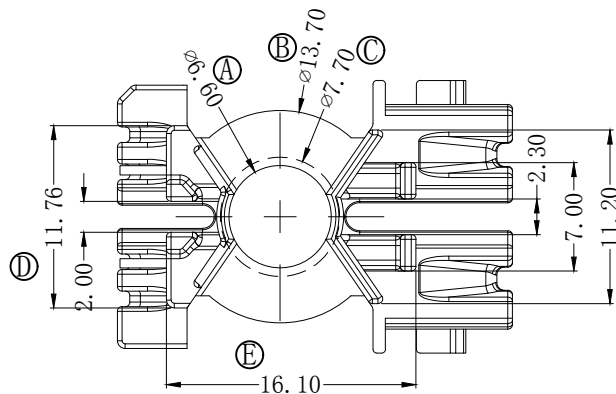


版本	A/0	REV	REVISIONS REC	DATE



深圳市搏思康电子有限公司 SHENZHEN BOSCOM ELECTRONICS CO.,LTD ADDRESS: 深圳市龙华区观澜街道牛湖社区君新路164号 TELEPHONE: 0755-29673660 29673519	型号 MODEL NAME LQ-15 (6+4+2P)	产品编号 DRAWING NO B-1518												
广东搏思远科技有限公司 Guangdong Bosyuan Technology Co.,Ltd ADDRESS: 河源市高新区富民工业园A区联体厂房A栋南栋 TELEPHONE: 0762-2820657 2820658 2820659 2820660	MATERIAL PM-9630 SCALE FIT DRWING 14/02/2022 DESIGNED 庄永委 APPROVED	<table border="1"> <tr> <td>PIN MATERIAL</td> <td>CP WIRE</td> </tr> <tr> <td colspan="2" style="text-align: center;">TOLERANCE</td> </tr> <tr> <td>0 < L ≤ 4</td> <td>±0.10</td> </tr> <tr> <td>4 < L ≤ 16</td> <td>±0.20</td> </tr> <tr> <td>16 < L ≤ 50</td> <td>±0.30</td> </tr> <tr> <td>50 < L ≤ 200</td> <td>±0.40</td> </tr> </table>	PIN MATERIAL	CP WIRE	TOLERANCE		0 < L ≤ 4	±0.10	4 < L ≤ 16	±0.20	16 < L ≤ 50	±0.30	50 < L ≤ 200	±0.40
PIN MATERIAL	CP WIRE													
TOLERANCE														
0 < L ≤ 4	±0.10													
4 < L ≤ 16	±0.20													
16 < L ≤ 50	±0.30													
50 < L ≤ 200	±0.40													